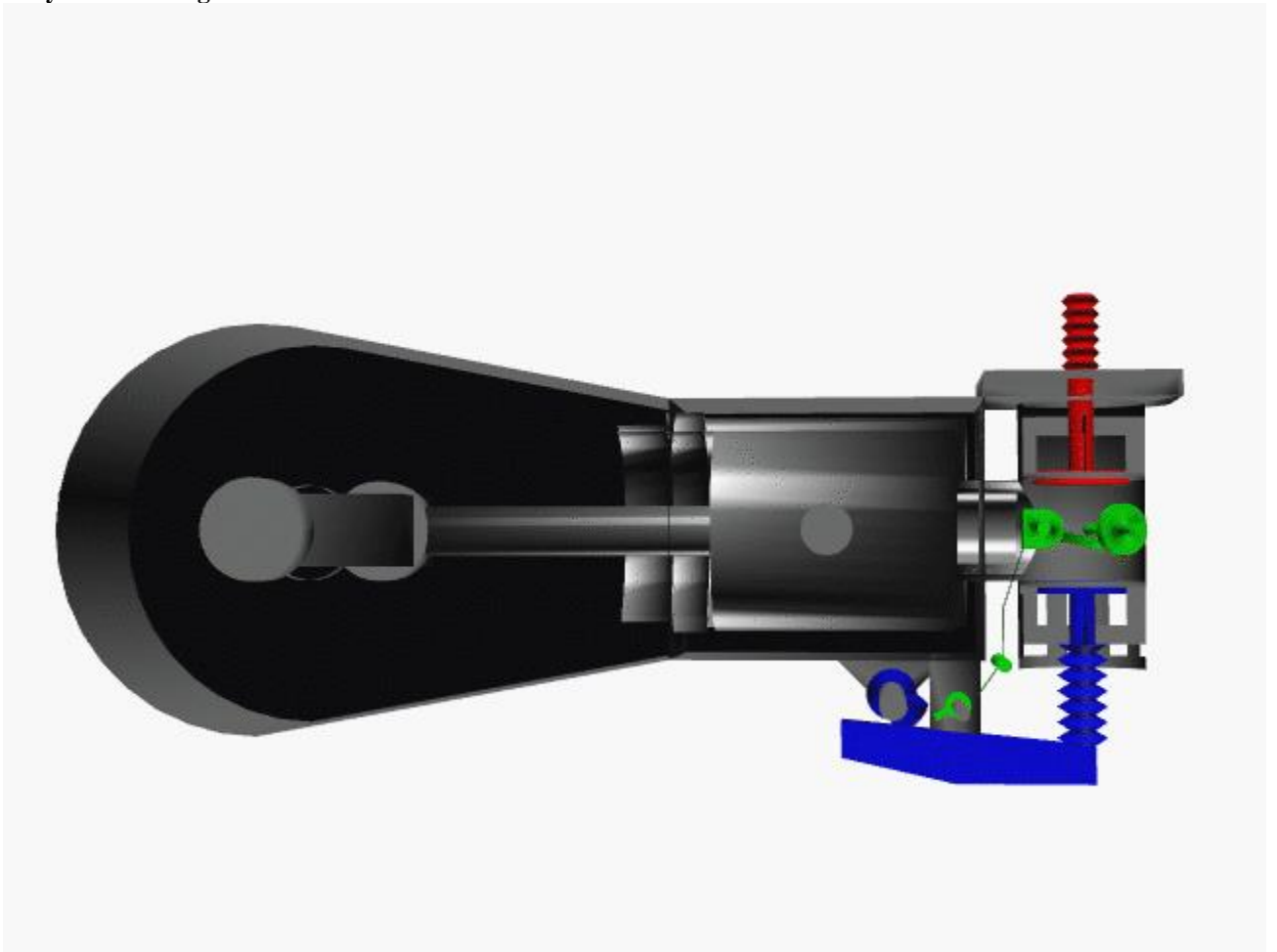
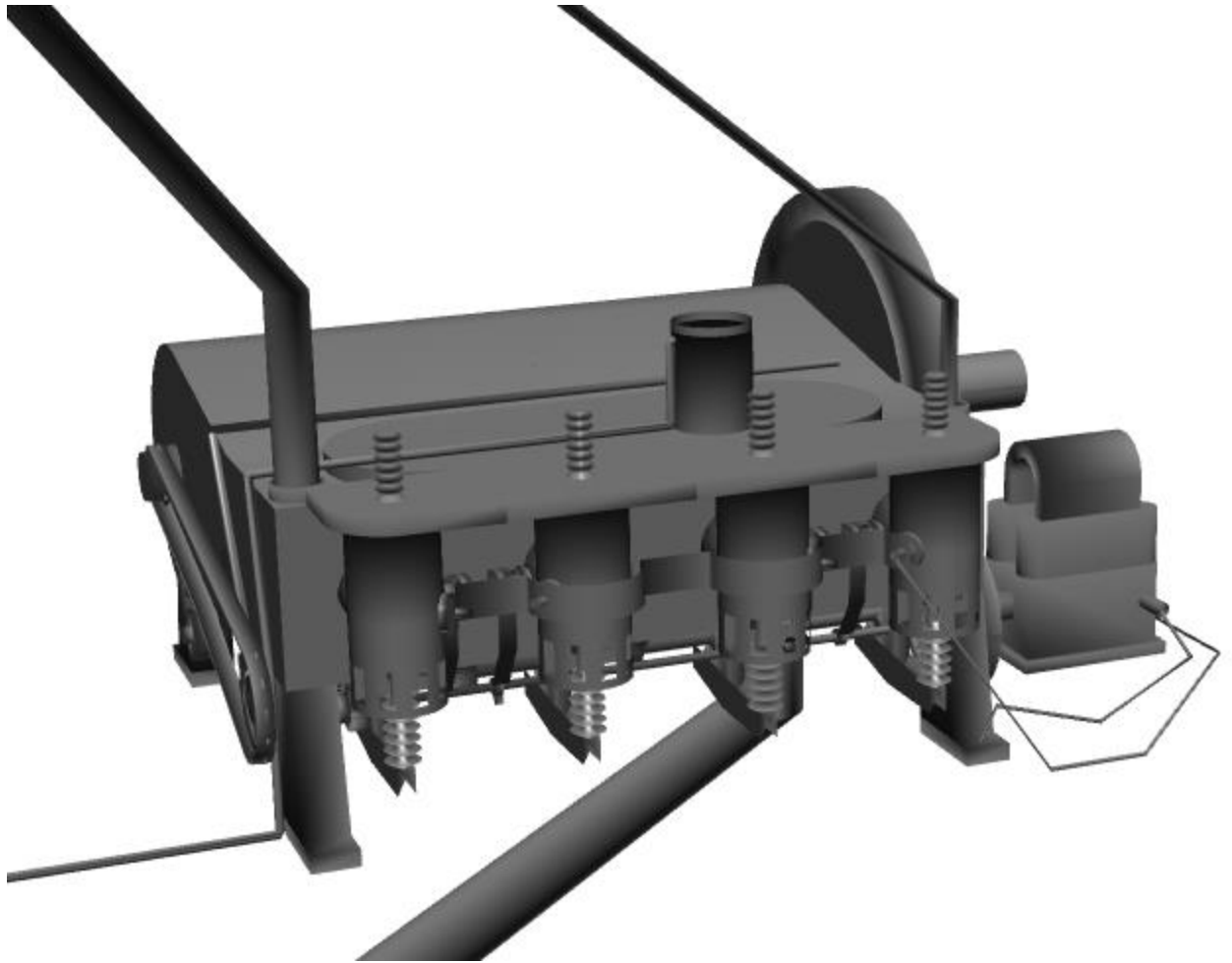
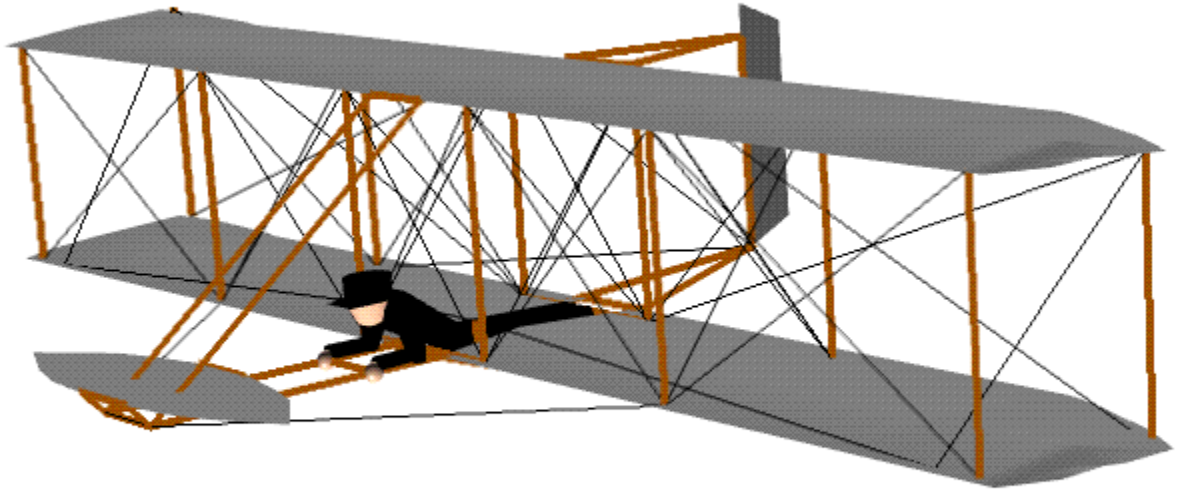


They built this engine from scratch

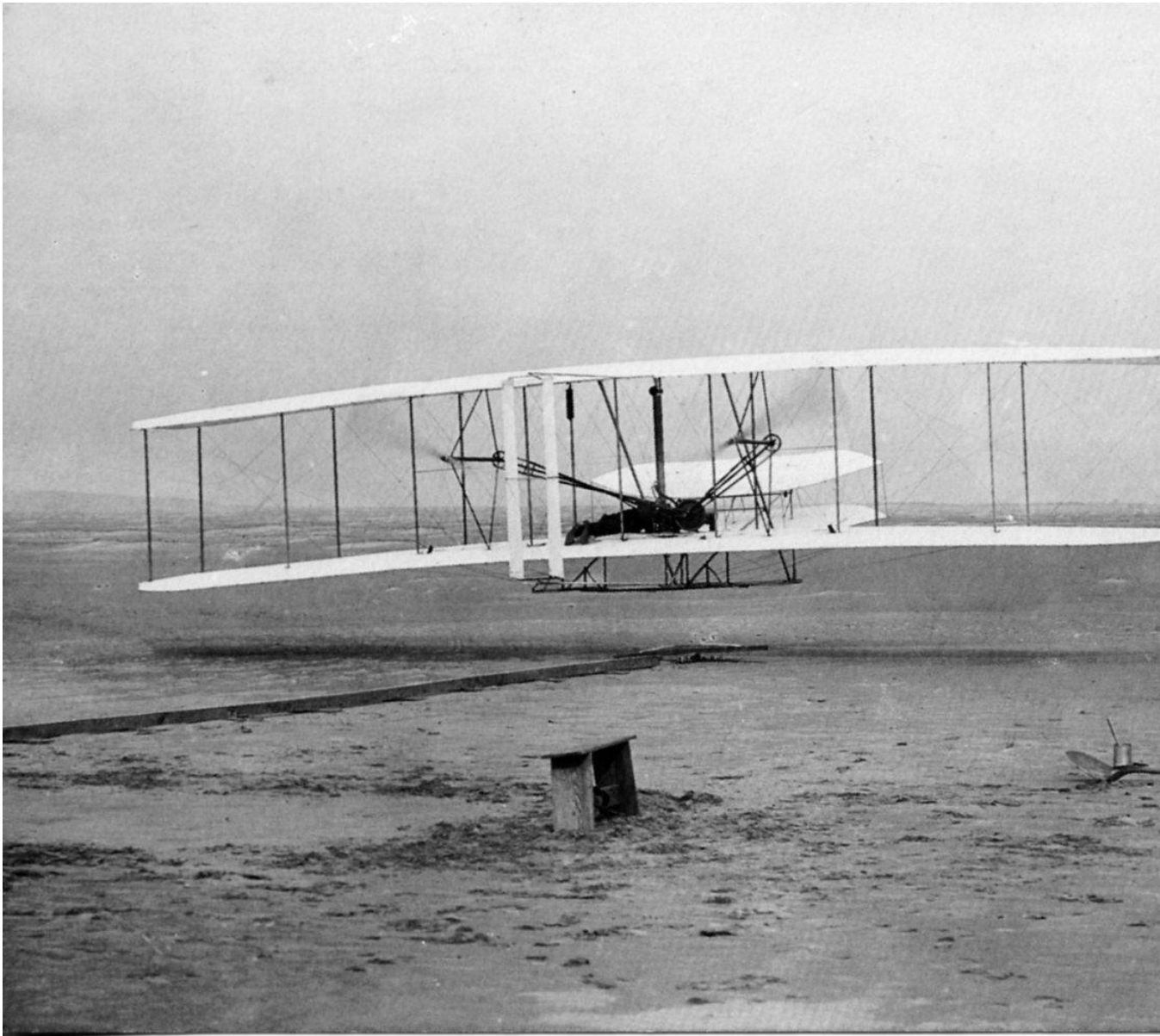




"Notice the exposed camshaft and ignition point's,intake valve has no cam, where are the spark plugs, carb,Battery,starter,radiator, the oil CAP??"



"Better still, let's build an airplane around it."



"These guy's had the right stuff"

[NASA discussion](#) of Wright Brothers flying machine development